



UNIVERSAL TOP MOUNT ELECTRIC HEATER STAND

Model No. KPE135-074

OWNERS INSTRUCTION MANUAL

Congratulations on your purchase of a Kent Electric Heater Stand. Please read the following instructions carefully before use and retain for future reference.

BEFORE FIRST USE

- Read and follow all the instructions below even if you feel you are familiar with the appliance.
- Remove the packing and make sure that the appliance is in tact. If in doubt do not use the appliance and contact the place of purchase.
- Do not leave packaging materials such as bags and staples within reach of children.
- Dispose of packaging carefully and with consideration for the environment.

For your convenience record the date you received the appliance on the warranty page of these instructions, and attach your proof of purchase. Retain this information in the event that a warranty service is required.

IMPORTANT SAFETY INFORMATION

- Do not forget to fasten the head screw when a heater is fixed.
- When a heater is fixed to the stand, do not raise or lower the adjustable pole without the head screw fully tightened.
- The total height of the stand cannot be extended past 1808mm.
- Do not forget to fully insert the safety bolt.
- Do not place in an area with excessive wind load.
- Install on a flat, level surface only.
- Keep out of reach of children. Never leave children unsupervised with a heater on a stand.

Model	KPE135-074
Max. operating height	1808mm
Min. operating height	1268mm
Net Weight	9.5kg
Dimensions	442 \varnothing × 1808 H mm
Max. support weight	7kg
Colour	Black

ASSEMBLY INSTRUCTIONS

Assembly

1. Open the packaging on a flat, dry, clean surface and ensure all parts are present.
2. Install all five feet under the base and tighten them by hand. See Fig.1.
3. Connect the lower pole to the base with the six washers and three hexagonal screws. Tighten with an allen key. See Fig. 2.
4. Stand the pole upright and extend the adjustable pole to the desired height. Tighten the connector and insert the safety bolt into the hole of the adjustable pole to lock in the height.
5. Remove the head screw and place the heater mounting bracket into position on the top of the adjustable pole. Replace the head screw and tighten. See Fig.3.

Tighten all fixings and insure installation is secure and firm. Adjust the heater to the desired angle of radiated heat before fully tightening. Check regularly and tighten.

CLEANING AND CARE

This product is made from engineered plastics and alloy steel.

- Before each use, ensure the stand is not fully vertical and all connectors and screws are tightened.
- Wipe the appliance only with clean and lint - free cloth or a soft brush.
- Never use abrasive cleaners, scrubbing brushes and chemical cleaners for cleaning.
- If not used for extended periods, we recommend disassembling and storing in a dry, ventilated area.
- Dry fully before storage.

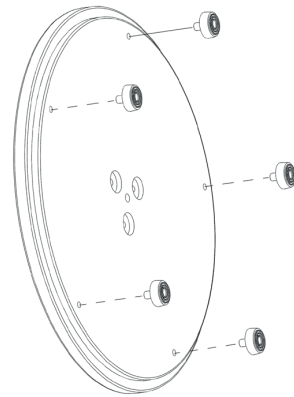


Fig. 1

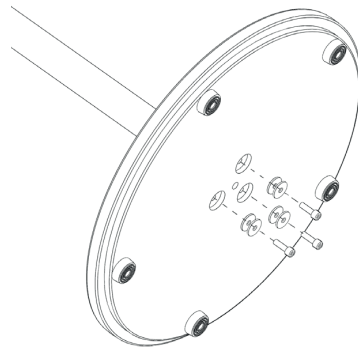


Fig. 2

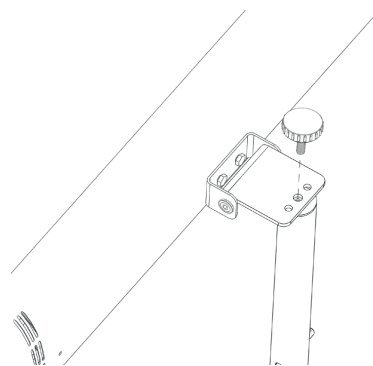


Fig. 3

WARRANTY GUIDELINES

1. Appliances will be free from defects in material and workmanship under normal use and service when installed and used in accordance with all applicable local laws and regulations.
2. If, during the warranty period, a product fails to operate properly due to defects in workmanship or materials, Aber Living will either, at its option, repair or replace the product without charge to the purchaser.

The following circumstances or events are either deemed to be outside the scope of the general warranty policy as set out above, or will invalidate any warranty claim:

- Normal customer maintenance, including yearly maintenance, routine maintenance, lubrication, etc.
- Damage caused by the continued use of a product after a fault has occurred.
- Accident, Act of God, nature or war, theft, abuse, misuse, negligence or neglect, including improper installation.
- Failure to operate or maintain the product in accordance with the owner's manual furnished with the product.
- Any alterations or modifications, including those affecting the product's performance, operation, safety, durability or changes in its intended use.
- Additional damage to parts or components due to consented use occurring after any of the above conditions.
- Incorrect installation or commissioning.

- Incorrect electrical installation or fitment to an inappropriate supply. Any electrical installation (fitting and wiring of new wall sockets etc) must be performed by a qualified electrician.
- The warranty applies only to the goods supplied and does not cover any other damage incurred.
- No agent, representative, dealer or employee of Aber Living or any other person has the authority to increase or alter the obligations of Aber Living under these warranties.

Proper Maintenance and Operation

The original purchaser must exhibit reasonable care in the maintenance and operation of the product as explained in the maintenance section of the owner/operator's manual. When in doubt, the Retailer should be contacted by the original purchaser for advice.

WARRANTY CLAIM PROCEDURES

Should a product failure occur then the original dealer should be contacted together with proof of purchase.

The following will apply to all products from date of purchase by the original consumer for use in a normal, domestic situation.

Kent Electric Heater Stand: 1 year from date of purchase.

Products used for business purposes will carry a 90 day warranty.

For full warranty terms & conditions please refer to our website: www.kent.co.nz.

Kent® is a registered trademark of Aber Living, Hamilton, NZ.

www.Kent.co.nz