



2000W ZERON RADIANT HEATER

Model No. KPE135-069

OWNERS INSTRUCTION MANUAL

Congratulations on your purchase of a Kent Outdoor Electric Appliance. Please read the following instructions carefully before use and retain for future reference.

BEFORE FIRST USE

- Read and follow all the instructions below even if you feel you are familiar with the appliance.
- Remove the packing and make sure that the appliance is in tact. If in doubt do not use the appliance and contact the place of purchase.
- Do not leave packaging materials such as bags and staples within reach of children.
- Dispose of packaging carefully and with consideration for the environment.

For your convenience record the date you received the appliance on the warranty page of these instructions, and attach your proof of purchase. Retain this information in the event that a warranty service is required.

NOTE: The rating of this appliance (as marked on the rating label) is based on specific loading tests. Normal use or the use of other recommended attachments may draw significantly less power.

IMPORTANT SAFETY INFORMATION

Before attempting to operate this heater, the following basic safety precautions should be taken to reduce the risk of fire, electric shock and personal injury. It is important to read the instruction manual and to understand its' applications, limitations and potential hazards associated with this heater.

This heater is not equipped with a device to control the room temperature. Do not use this heater in small rooms when they are occupied by persons not capable of leaving the room on their own, unless constant supervision is provided.

This heater is not intended for use by persons (including children) with reduced physical, sensory or mental capabilities, or lack of experience and knowledge, unless they have been given supervision or instruction concerning the use of the appliance by a person responsible for their safety.

This heater is not designed for use within 1m or above a water source. It is important that you read, understand and follow these instructions very carefully. They are designed for the safety of yourself and others ensuring a long and trouble free service life from your heater.

This electric heater complies with New Zealand and International standards and safety requirements. Repairs should only be carried out by qualified persons using original spare parts. Failure to do so may result in considerable danger to the operator. When using any electrically powered appliance, these basic safety precautions should always be followed.

SAFE OPERATION

Do not abuse the power cord

- Never tug or pull on the power cord to disconnect it from the mains supply socket.
- Never carry your heater by its power cord.
- Keep the power cord away from heat, oil, solvents and sharp edges.
- Do not allow the cord to come in to contact with the heater surface during operation.
- Do not run the cord under carpeting, mats or rugs etc. Do not route cord under furniture or appliances. Arrange the cord away from traffic areas so that it will not be tripped over.
- Do not twist, kink or wrap the cord around the heater as this may cause the insulation to weaken and split.
- Check the power cord regularly for any damage and if the power cord becomes damaged have it replaced by an authorised service facility.
- Unroll the cord before operating. Operating with a coiled cord may cause overheating and fire risk.

Extension cords and reels

- This heater is NOT designed to run off an extension cord. If you require an additional power point please have one installed by a qualified electrician.
- The use of extension cords may cause power voltage loss which will result in damage to the appliance this will NOT be covered under warranty.



WARNINGS

- A heater has hot and arcing or sparking parts inside. Do not use the heater in areas where there is a risk of explosion or fire from flammable gases, eg. paint, petrol etc.
- Always keep heater at least one metre (1m) from combustible materials.
- Do not place directly in front of, below or above any power points or switches.
- Fire risk exists if this heater is covered by or positioned close to curtains or other combustible materials.
- This heater is intended for domestic/ household use only. It is not for use in building sites, greenhouses, barns or stables where there is flammable dust.
- Always ensure that this heater is installed as per the requirements noted in New Zealand Standard AS/NZS 3000:2007.
- Do not insert or allow foreign objects to enter any ventilation or exhaust opening as this may cause an electric shock or fire, or damage the heater.
- Do not use this heater in the immediate surroundings of a bath, a shower or a swimming pool.
- This heater is not intended for use in bathrooms, sauna or laundry areas and similar locations. Never locate heater where it may fall into a bathtub or other water container.
- Do not immerse in liquid or use the heater near water as this could create an electrical shock hazard.
- If the heater accidentally comes into contact with water, switch off the power supply and do not touch the heater.
- Do not operate the heater with wet hands.
- Do not operate any heater with a damaged cord or plug, after the heater malfunctions, if the heater has been dropped or damaged or if the heater shows visible signs of damage. Return to a qualified electrician for service or repair.

- Do not connect the heater to the mains voltage until completely assembled and adjusted.
- Do not remove the plug from the power socket until the appliance has been switched off.
- To disconnect heater, turn controls off, then remove plug from outlet.
- DO NOT use a 3rd party timer, or programmable system with this heater.
- Always unplug the heater when not in use.
- Before moving or cleaning the heater, switch off the heater, unplug it from the wall and allow it to cool.

ELECTRICAL DATA

IMPORTANT

This product is fitted with a sealed electrical connection plug that is compatible with the heater, the mains supply for New Zealand and meets the requirements of international standards.

This heater must be connected to a supply voltage that is equal to that stated on the rating label. If the mains connection plug or power cord becomes damaged it must be replaced with a complete assembly that is identical to the original, and this must be replaced by an authorised service centre. Always follow the New Zealand requirements for connection to the mains supply. If in doubt always consult a qualified electrician.

Heater Specifications

Model No.: KPE135-069
Heat Settings: 650W - 2000W
Rating: 220-240V~, 50Hz
Unit Weight: 2.0kg
IP Rating: IP24

WALL INSTALLATION

BEFORE WALL INSTALLATION

Always ensure you select the correct fixing accessories which suit the particular wall material you are attaching to, if in doubt please discuss with your local retailer or local hardware store.

Mark out the proposed location of the heater using the mounting bracket as a guide. Ensure the power cord can reach the socket and that the heater will not be too close to the power point. The location should not be exposed to excessive wind load.

Ensure all clearance guidelines are adhered to:

- Bottom edge of heater to floor: 1600mm
- Top edge of heater to ceiling: 600mm

STAND INSTALLATION

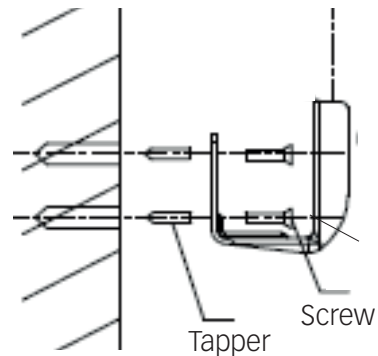
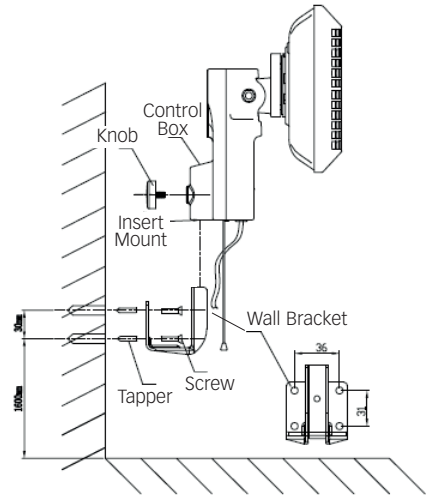
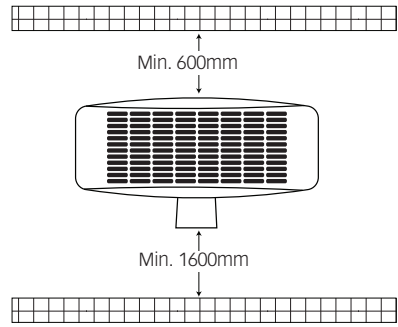
If mounting to a stand, we recommend the Kent Insert Mount Electric Heater Stand (KPE135-071). Mount to the stand using the mounting bracket included.

ASSEMBLY INSTRUCTIONS

Assembly

1. Position the heater on a flat, dry, clean surface and ensure all parts are present.
2. Drill holes into the wall at the positions marked previously.
3. Insert the tapper into the wall if required.
4. Place the heater mounting bracket over the holes and use the screws to fix.
5. Place the heater insert mount onto the mounting bracket. Fix using the knob.

Tighten all fixings and insure installation is secure and firm. Check regularly and tighten.



USAGE INSTRUCTIONS

1. Plug the heater into a power point and switch on at power point.
2. The circle underneath the Kent logo will read '0' indicating the heater is off.
3. Pull down the cord to switch on the unit. The heat indicator will read 'L' for Low (650W).
4. Pull down the cord again to increase the temperature to 'M' - Medium (1300W), and again to 'H' - High (2000W).
5. Pull the cord one more time to return to off.

The heater will begin to work immediately, but may take a few minutes for the Quartz elements to illuminate.

CLEANING AND CARE

IMPORTANT: Turn off the heater. Switch off the power switch and disconnect the heater from the power socket. Wait for the heater to be completely cool before cleaning.

- Wipe the appliance only with clean and lint - free cloth or a soft brush.
- Never use abrasive cleaners, scrubbing brushes and chemical cleaners for cleaning.
- To protect against electrical shock and danger of life, do not immerse cord, plug, or any part of the heater in water or other liquid.
- For heating element replacement, please contact the manufacturer or its service agent or a similarly qualified person.

WARRANTY GUIDELINES

1. Appliances will be free from defects in material and workmanship under normal use and service when installed and used in accordance with all applicable local laws and regulations.
2. If, during the warranty period, a product fails to operate properly due to defects in workmanship or materials, Aber Living will either, at its option, repair or replace the product without charge to the purchaser.

The following circumstances or events are either deemed to be outside the scope of the general warranty policy as set out above, or will invalidate any warranty claim:

- Normal customer maintenance, including yearly maintenance, routine maintenance, lubrication, etc.
- Damage caused by the continued use of a product after a fault has occurred.
- Accident, Act of God, nature or war, theft, abuse, misuse, negligence or neglect, including improper installation.
- Failure to operate or maintain the product in accordance with the owner's manual furnished with the product.
- Any alterations or modifications, including those affecting the product's performance, operation, safety, durability or changes in its intended use.
- Additional damage to parts or components due to consented use occurring after any of the above conditions.
- Incorrect installation or commissioning.
- Incorrect electrical installation or fitment to an inappropriate supply. Any electrical installation (fitting and wiring of new wall sockets etc) must be performed by a qualified electrician.
- The warranty applies only to the goods supplied and does not cover any other damage incurred.
- No agent, representative, dealer or employee of Aber Living or any other person has the authority to increase or alter the obligations of Aber Living under these warranties.

Proper Maintenance and Operation

The original purchaser must exhibit reasonable care in the maintenance and operation of the product as explained in the maintenance section of the owner/operator's manual. When in doubt, the Retailer should be contacted by the original purchaser for advice.

WARRANTY CLAIM PROCEDURES

Should a product failure occur then the original dealer should be contacted together with proof of purchase.

The following will apply to all products from date of purchase by the original consumer for use in a normal, domestic situation.

Kent Outdoor Electric Heaters: 2 years from date of purchase.

Products used for business purposes will carry a 90 day warranty.

For full warranty terms & conditions please refer to our website: www.kent.co.nz.

Kent® is a registered trademark of Aber Living, Hamilton, NZ.

www.Kent.co.nz