



OPTIMUM RADIANT HEATER - 2400W

Model No. KPE135-063

OWNERS INSTRUCTION MANUAL

Congratulations on your purchase of a Kent Outdoor Electric Appliance. Please read the following instructions carefully before use and retain for future reference.

BEFORE FIRST USE

- Read and follow all the instructions below even if you feel you are familiar with the appliance.
- Remove the packing and make sure that the appliance is in tact. If in doubt do not use the appliance and contact the place of purchase.
- Do not leave packaging materials such as bags and staples within reach of children.
- Dispose of packaging carefully and with consideration for the environment.

For your convenience record the date you received the appliance on the warranty page of these instructions, and attach your proof of purchase. Retain this information in the event that a warranty service is required.

NOTE: The rating of this appliance (as marked on the rating label) is based on specific loading tests. Normal use or the use of other recommended attachments may draw significantly less power.

Remote control included. 2 x AAA batteries required (not included).

IMPORTANT SAFETY INFORMATION

Before attempting to operate this heater, the following basic safety precautions should be taken to reduce the risk of fire, electric shock and personal injury. It is important to read the instruction manual and to understand its' applications, limitations and potential hazards associated with this heater.

This heater is not intended for use by persons (including children) with reduced physical, sensory or mental capabilities, or lack of experience and knowledge, unless they have been given supervision or instruction concerning the use of the appliance by a person responsible for their safety.

This heater is not designed for use within 1m or above a water source. It is important that you read, understand and follow these instructions very carefully. They are designed for the safety of yourself and others ensuring a long and trouble free service life from your heater.

This electric heater complies with New Zealand and International standards and safety requirements. Repairs should only be carried out by qualified persons using original spare parts. Failure to do so may result in considerable danger to the operator.

SAFE OPERATION

Do not abuse the power cord

- Never tug or pull on the power cord to disconnect it from the mains supply socket. Never carry your heater by its power cord. Keep the power cord away from heat, oil, solvents and sharp edges. Check the power cord regularly for any damage and if the power cord becomes damaged have it replaced by an authorised service facility.

Extension cords and reels

- This heater is NOT designed to run off an extension cord. If you require an additional power point please have one installed by a qualified electrician.
- The use of extension cords may cause power voltage loss which will result in damage to the appliance this will NOT be covered under warranty.



WARNINGS

- Do not use the heater in areas where there is a risk of explosion or fire from flammable gases.
- Always keep heater at least one metre (1m) from combustible materials.
- Do not use the heater in damp areas, without suitable ventilation.
- Do not place directly in front of, below or above any power points or switches.
- Fire risk exists if this heater is covered by or positioned close to curtains or other combustible materials.
- This heater is intended for domestic/ household use only.
- Always ensure that this heater is installed as per the requirements noted in New Zealand Standard AS/NZS 3000:2007.
- DO NOT use this heater within 1 metre or above any water source.
- DO NOT use this heater in either the bathroom or ensuite without suitable ventilation.
- DO NOT use a 3rd party timer, or programmable system with this heater.
- DO NOT touch any part of the heater while on, hot surfaces may burn.
- DO NOT use the wall heater as a dryer.
- DO NOT attempt to modify the heater, power cord, power plug or the supplied accessories in any way.
- DO NOT expose the heater to rain, water, or use in damp wet conditions.
- NEVER cover this heater.
- NEVER carry the heater by its power supply cord.
- NEVER use with the power cord coiled, bundled up or tied up. Always ensure that the power cord is fully extended and NOT in contact with any part of the heater.
- NEVER use the heater if any part of it is damaged.
- Ensure that the heater is disconnected from the mains supply when installing, cleaning or removing/installing.
- Ensure this heater is not left on when unattended.
- Ensure the heater is not used in areas where flammable gases are present, e.g. paint, petrol etc.
- Always turn the heater OFF at the unit switch and the power point switch when not in use for extended periods of time.
- Always allow the heater to cool, about one hour after the heater has been turned off, before cleaning the heater.
- Always ensure that the heater is kept clean and free from dust.
- Always ensure you select the correct fixing accessories which suit the particular wall/ ceiling material you are attaching to, if in doubt please discuss with your local retailer or local hardware store.
- Only use this heater when securely attached to the wall/ceiling.

ELECTRICAL DATA

IMPORTANT

This product is fitted with a sealed electrical connection plug that is compatible with the heater, the mains supply for New Zealand and meets the requirements of international standards.

This heater must be connected to a supply voltage that is equal to that stated on the rating label. If the mains connection plug or power cord becomes damaged it must be replaced with a complete assembly that is identical to the original, and this must be replaced by an authorised service centre. Always follow the New Zealand requirements for connection to the mains supply. If in doubt always consult a qualified electrician.

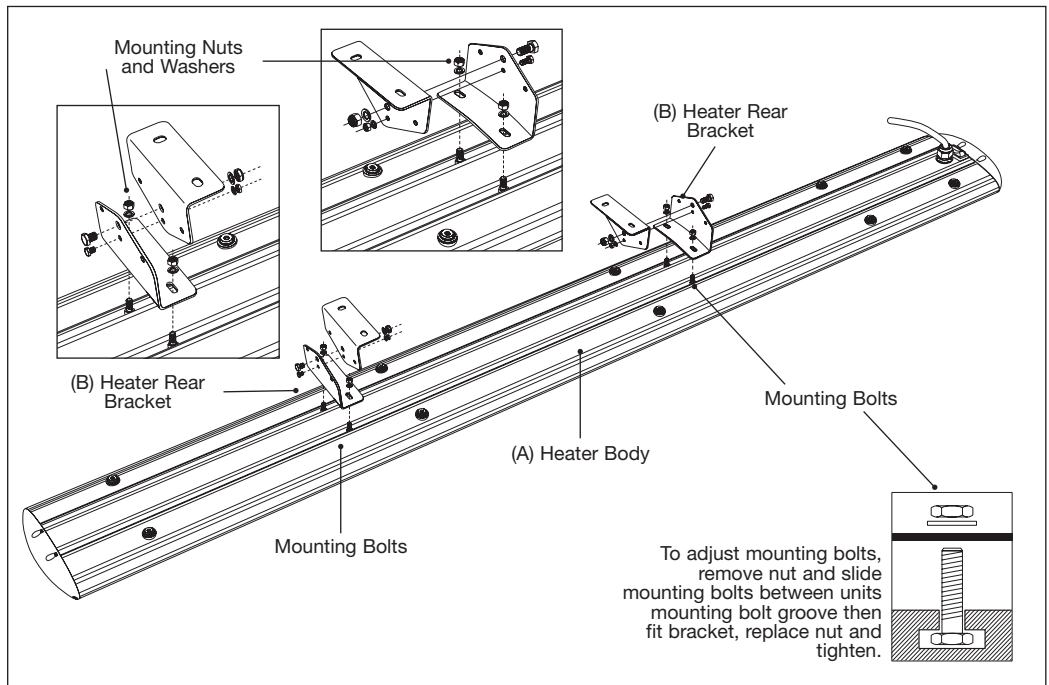
Heater Specifications

Model No.: KPE135-063
Heat Settings: 2400W
Rating: 220-240V~, 50Hz
Unit Weight: 8.2kg
IP Rating: IPx4

ASSEMBLY INSTRUCTIONS

You can either mount side or lengthways depending on the mounting surface.

1. Attach the heater rear brackets (B) to the heater body (A) using bolts, washers and nuts.



INSTALLATION

General Mounting Suggestions

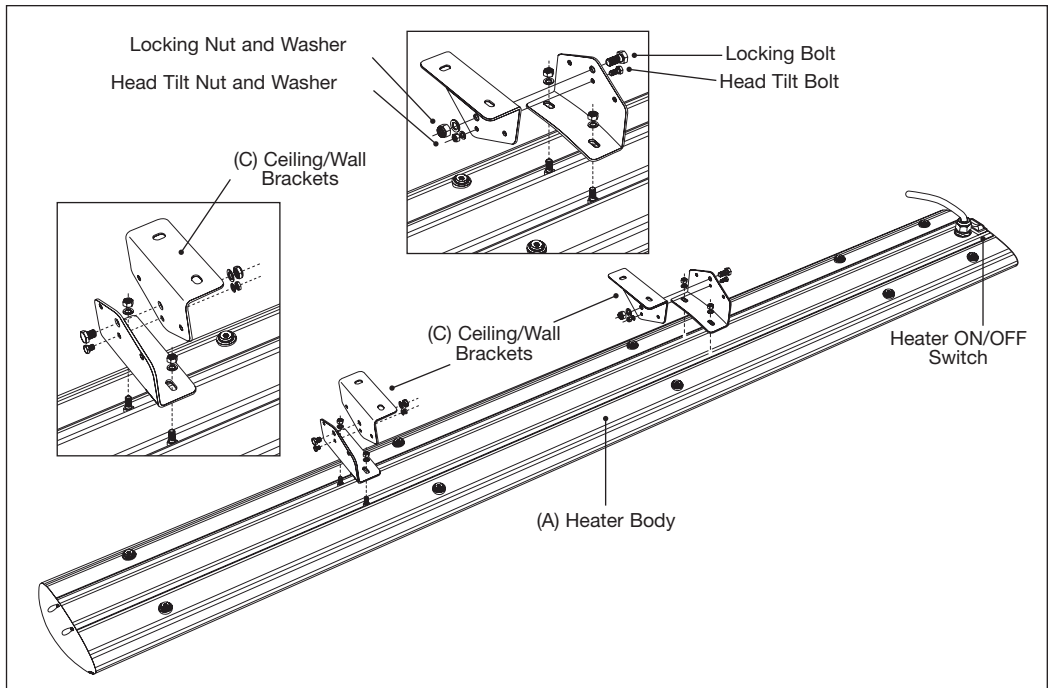
If unsure please discuss with your local hardware store.

- Ensure the fixing screws are at least suitable for 10Kg each.
- If fitting to a stud wall or ceiling ensure all fixing screws are into timber. Plasterboard IS NOT suitable by itself.
- If no timber stud/joists are available we would suggest installing a timber batten to attach to.

Wall/Ceiling Bracket Installation

1. The bottom of the heater body should be 1.8m above the floor, see page 6.
2. Do not position the heater directly above or below a power point or switch. Do not position heater in front of a power point.
3. Mark and drill 2 mounting holes for bracket (C).
4. Using 2 suitable screws (not supplied) attach the bracket to the wall or ceiling.
Note: If unsure what screws to use please discuss with your local hardware store.
5. Using the nuts and bolts join the bracket (C) to the heater bracket (B) and tighten fully.
6. Heater is now mounted and ready for use. Check the safety distance between the heater body and flammable surface when wall or corner mounted (see page 6). Do not mount the heater in the ceiling, always mount to the ceiling (see page 6).

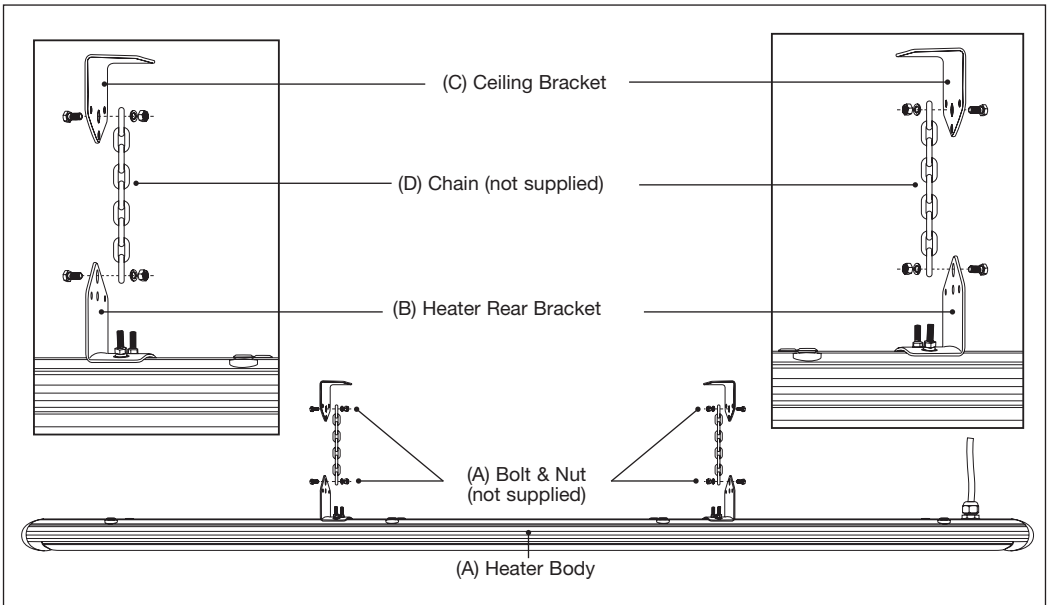
Note: To adjust the bracket position, see diagram on page 3.



Ceiling Mount with Chain Assembly

Only use this mounting option if your ceiling is too high.

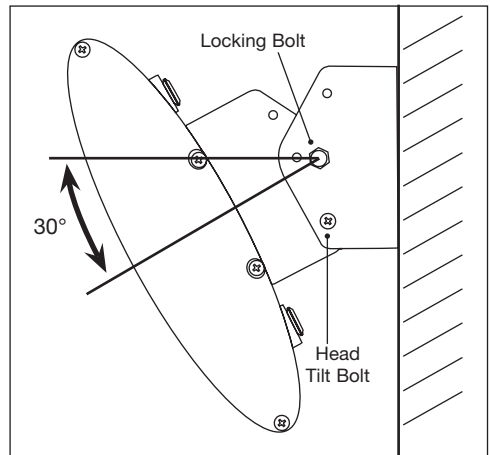
1. Attach the bracket (C) as noted below.
2. Cut the chain (D), not supplied, to desired length.
3. Use the nut and bolt to attach the chain to bracket (C) and bracket (B).
4. The heater is now mounted and ready for use.



To Tilt the Heater

Note: Always ensure that the heater is switched off, disconnected from the mains power supply and is cold to touch. If heater has been recently used, please leave the wall heater one hour to cool before tilting head.

1. Loosen the locking bolt and remove.
2. Loosen the head tilt bolt, do not remove.
3. Head can be tilted through 30°.
4. Tighten the head tilt bolt when the desired angle is achieved.
5. Insert and tighten the locking bolt if possible to stop any unintentional movement of the heater.

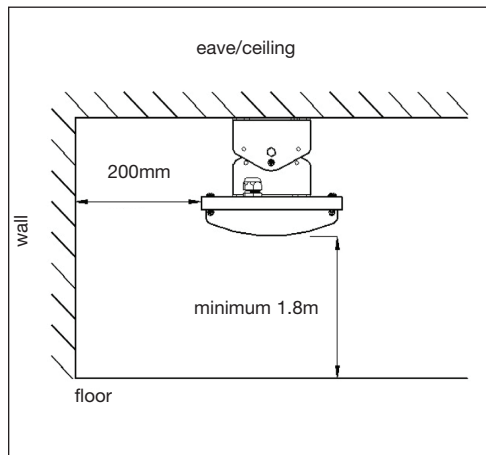
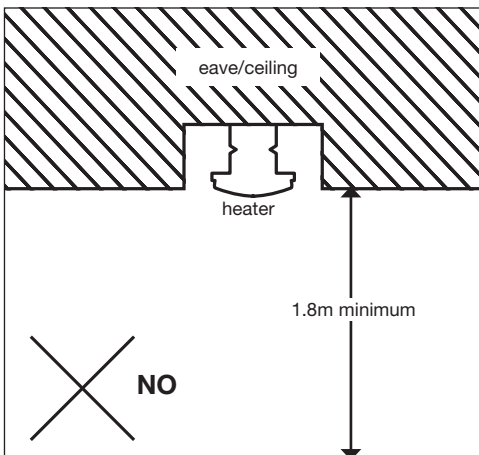
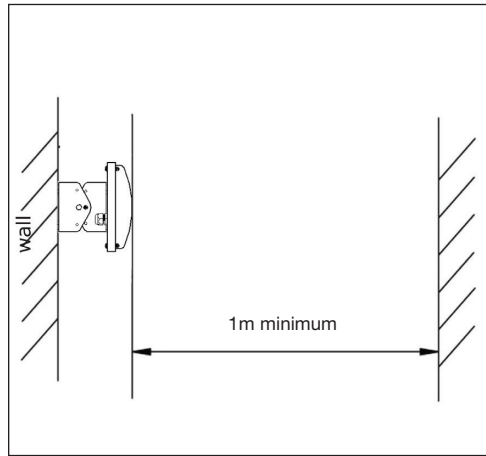
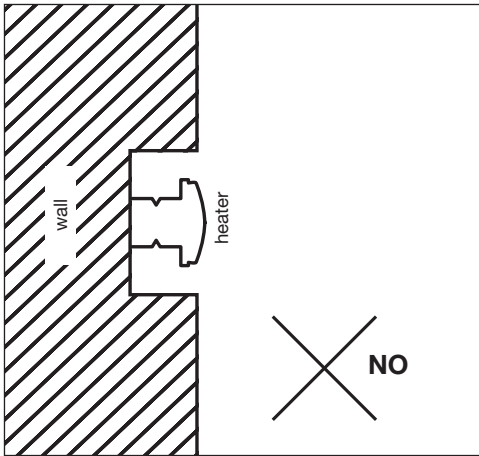
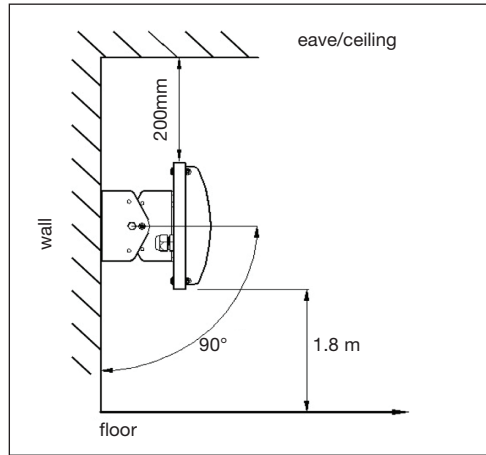


Note: If locking bolt can not be fitted, ensure the head tilt bolt is very tight.

Positioning of the Heater

1. Position heater at least 200mm from the eave lining or ceiling or wall at 90° to heater.
2. Position heater at least 1.8m above the floor.
3. Never position in front, above or below a power point.
4. If heater is facing another vertical surface, example – wall, the gap must be at least 1 metre.
5. Never mount heater within 1 metre of a water source, for example, a tap.

NOTE: Never recess the heater into the wall or ceiling. Only mount onto the surface.



OPERATING INSTRUCTIONS

1. Plug into a 240V AC wall socket.
2. To turn on – switch the wall socket on.
3. To turn off – switch the wall socket off.
4. Unplug lead from wall socket when not in use.

REMOTE CONTROL OPERATION

Note: The remote control will only operate from the standby mode.

To Turn On

1. Plug into a 240V AC wall socket.
2. Switch the wall socket on.
3. Turn the unit switch on - it will glow Red - Standby Function On.
4. Using the remote, press "ON", the heater will come on and a small blue LED will glow.

To Turn Off

1. Using the remote, press "OFF", the heater will turn off and the small LED light will go out.
2. Turn the unit switch off, the red LED will go out.
3. Switch the wall socket off.
4. Unplug the lead from the wall socket when not in use.

CLEANING AND CARE

IMPORTANT: Turn off the heater. Switch off the power switch and disconnect the heater from the power socket. Wait for the heater to be completely cool before cleaning (approximately one hour).

1. Turn off and disconnect from mains power, allow to cool.
2. Wipe the unit over with a damp clean soft lint free cloth.
3. For stubborn marks, use a mild dish washing solution on a damp clean soft lint free cloth.

NEVER allow water or the mild dish washing solution to enter or drip onto the wall heater.

NEVER use solvents, e.g. Petrol, Toluene, Methylated Spirits etc to clean the floor heater, as these will damage the surface finish and may cause a fire when unit is next used.

WARRANTY GUIDELINES

1. Appliances will be free from defects in material and workmanship under normal use and service when installed and used in accordance with all applicable local laws and regulations.
2. If, during the warranty period, a product fails to operate properly due to defects in workmanship or materials, Aber Living will either, at its option, repair or replace the product without charge to the purchaser.

The following circumstances or events are either deemed to be outside the scope of the general warranty policy as set out above, or will invalidate any warranty claim:

- Normal customer maintenance, including yearly maintenance, routine maintenance, lubrication, etc.
- Damage caused by the continued use of a product after a fault has occurred.
- Accident, Act of God, nature or war, theft, abuse, misuse, negligence or neglect, including improper installation.
- Failure to operate or maintain the product in accordance with the owner's manual furnished with the product.
- Any alterations or modifications, including those affecting the product's performance, operation, safety, durability or changes in its intended use.
- Additional damage to parts or components due to consented use occurring after any of the above conditions.
- Incorrect installation or commissioning.
- Incorrect electrical installation or fitment to an inappropriate supply. Any electrical installation (fitting and wiring of new wall sockets etc) must be performed by a qualified electrician.
- The warranty applies only to the goods supplied and does not cover any other damage incurred.
- No agent, representative, dealer or employee of Aber Living or any other person has the authority to increase or alter the obligations of Aber Living under these warranties.

Proper Maintenance and Operation

The original purchaser must exhibit reasonable care in the maintenance and operation of the product as explained in the maintenance section of the owner/operator's manual. When in doubt, the Retailer should be contacted by the original purchaser for advice.

WARRANTY CLAIM PROCEDURES

Should a product failure occur then the original dealer should be contacted together with proof of purchase.

The following will apply to all products from date of purchase by the original consumer for use in a normal, domestic situation.

Kent Optimum Outdoor Electric Heaters: 2 years from date of purchase.

Products used for business purposes will carry a 90 day warranty.

For full warranty terms & conditions please refer to our website: **www.kent.co.nz**.

Kent® is a registered trademark of Aber Living, Hamilton, NZ.

www.kent.co.nz