



MICATHERMIC PANEL HEATER

Model No. KPE216-417

OWNERS INSTRUCTION MANUAL

Congratulations on your purchase of a Kent Portable Electric Appliance. Please read the following instructions carefully before use and retain for future reference.

BEFORE FIRST USE

- Read and follow all the instructions below even if you feel you are familiar with the appliance.
- Remove the packing and make sure that the appliance is in tact. If in doubt do not use the appliance and contact the place of purchase.
- Do not leave packaging materials such as bags and staples within reach of children.
- Dispose of packaging carefully and with consideration for the environment.
- It is ideal to retain the appliance carton for seasonal storage.

For your convenience record the date you received the appliance on the warranty page of these instructions, and attach your proof of purchase. Retain this information in the event that a warranty service is required.

NOTE: The rating of this appliance (as marked on the rating label) is based on specific loading tests. Normal use or the use of other recommended attachments may draw significantly less power.

Remote control included. CR2025 battery required.

IMPORTANT SAFETY INFORMATION

When using any electrically powered appliance, these basic safety precautions should always be followed.

WARNING: DO NOT COVER in order to avoid overheating.

To reduce the risk of fire, electrical shock or injury to persons or property:

- To avoid overheating, keep airflow grilles clear of dust and hair build up - especially if you have indoor pets.
- Use only the voltage specified on the rating label of the appliance.
- Do not cover or restrict airflow to the inlet or outlet grilles in any manner as the appliance may overheat and become a fire risk.
- Do not cover grilles, block entry or exits of airflow by placing the appliance against any surface. Keep all objects at least 1 metre from the front and side of the appliance.
- Do not locate in areas of high foot traffic, ensure the power cord and heater are in view to avoid accidents.
- Do not operate in areas where gasoline, paint or other flammable liquids are used or stored.
- This appliance heats up when in use. To avoid burns, do not touch the front of the

- appliance or any of the grilles or vents.
- Before moving the appliance, switch off the appliance by unplugging it from the wall and allowing it to cool.
- Do not use the appliance to dry clothes.
- Do not insert or allow foreign objects or metal utensils into any ventilation or exhaust openings as this may cause an electric shock, fire or damage to the appliance.
- Do not use this appliance in the immediate surroundings of a bath, a shower or a swimming pool.
- Do not immerse in liquid or use the appliance near water as this could create an electrical shock hazard.
- If the appliance accidentally comes into contact with water switch off the power supply and do not touch the appliance.
- Do not operate any appliance with a damaged cord or plug or after the appliance malfunctions or has been dropped or damaged in any manner – in order to avoid a hazard. Return to a qualified electrical person for service or repair.
- Do not operate the appliance with wet hands.
- Do not connect the appliance to the mains voltage until completely assembled and adjusted.
- This appliance is not intended for outdoor use.
- Always operate upright, on a flat, firm surface only.
- CAUTION: This product is NOT suitable to be used on long pile carpets or rugs.
- Unroll the cord before operating. Operating with a coiled cord may cause overheating and fire risk.
- The use of an extension cord with this appliance is not recommended.
- Do not remove the plug from the power socket until the appliance has been switched off.
- Always hold the plug when removing it from the wall, do not pull the cord.
- Always unplug the appliance when it is not in use.
- Do not allow the cord to come in to contact with the appliance surface during operation.
- Do not run the cord under carpeting, mats or rugs etc. Arrange the cord away from traffic areas so that it will not be tripped over.
- Do not twist, kink or wrap the cord around the appliance as this may cause the insulation to weaken and split.
- This appliance is not intended for use by persons (including children) with reduced physical, sensory or mental capabilities, or lack of experience and knowledge, unless they have been given supervision or instruction concerning use of the appliance by a person responsible for their safety.
- Children should be supervised to ensure that they do not play with the appliance.
- This appliance is intended for light domestic use and not for heavy duty commercial or industrial use.
- The appliance must not be located immediately below or in front of a socket-outlet.
- CAUTION: In order to avoid a hazard due to inadvertent resetting of the thermal cutout, this appliance must not be supplied through an external switching device, such as a timer, or connected to a circuit that is regularly switched on and off by the utility.
- Never remove the cover of the appliance – in case of a fault contact a qualified service person.
- Use this appliance only as described in this manual.
- Any other use is not recommended by the manufacturer and may cause fire, electric shock or injury.

Heater Specifications

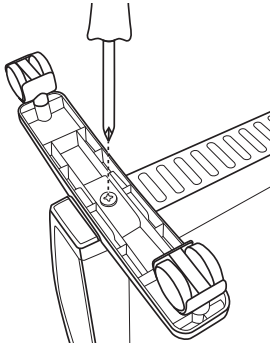
Model No.: KPE216-417
 Heat Settings: 1400W / 2400W
 Rating: 220-240V~, 50Hz

ASSEMBLY INSTRUCTIONS

This heater is supplied with both wall mounting brackets for fixed installation and castors for portability.

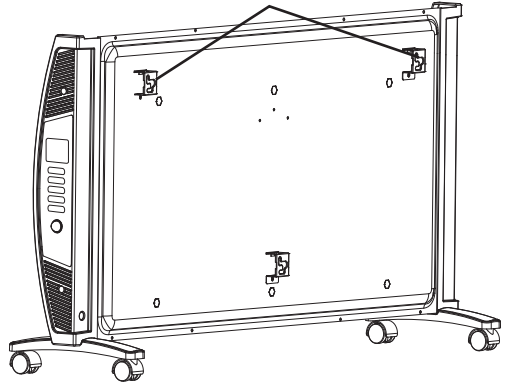
Portable Assembly

1. Position the heater carefully upside down and position the base supports over the screw hole in the base of each end of the heater.
2. Secure with the 2 screws supplied (1 screw per base support).



3. Fix the heater to the wall by locating the bracket holes over the screws then secure in place by slotting the screw into the upper most fixing location on the bracket (slide to the right and up).
4. Ensure the heater is securely fastened to the wall.

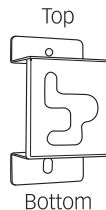
The distance between two screws is 500mm



Fixed Installation

Refer to Minimum Clearances adjacent as a guide to the correct location of the heater. Ensure the castors are removed and stored safely, if they are currently secured to the heater.

1. Secure the 3 mounting brackets to the rear of the heater by locating the top of each bracket into the 3 slots. Fix each bracket at the base with the 3 small screws provided.



2. Note: The bottom bracket is not required to be affixed to the wall. It is a spacer to balance the heater when affixed.

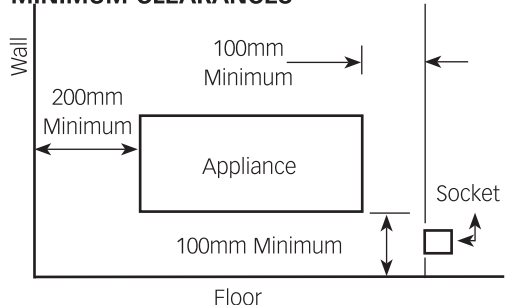
Use the correct type of fixing method to fix the screws to the wall (2 long screws and raw plugs are included with the heater). To ensure the most secure location, affix to a stud.

Positioning of the Heater

Portable: The appliance must be placed on a flat, firm surface and should only be operated at a minimum distance of 1 metre from any wall or other object from the top, sides and front of the heater. For best performance, position the heater in order to optimise the air flow of the room.

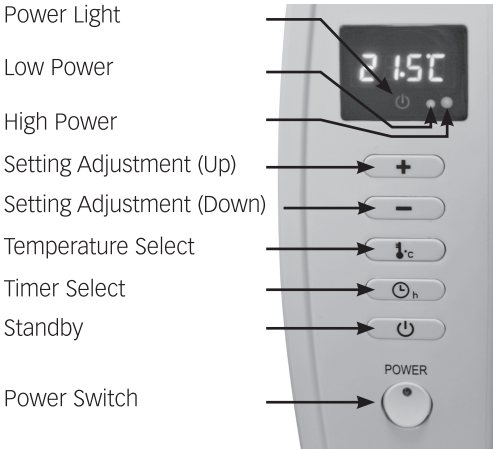
Wall-mounted: refer to the drawing below for minimum clearances.

MINIMUM CLEARANCES



OPERATING INSTRUCTIONS

NOTE: When switched on for the first time a slight odour may be emitted for a few minutes. This is harmless and occurs with most appliances as slight traces of dust or lubricants may have collected during manufacture.



- If not wall mounted, fix castors to base supports (refer to Portable Assembly on page 3), and place the heater on a level surface in a stable upright position.
- Ensure the Power Switch is OFF.
- Unwind the power cord and plug your heater into a power socket (refer to Positioning of the Heater on page 3). Ensure the voltage on the specification plate is the same as in your home and the power cord is lying safely on the ground.
- Turn the heater ON by pressing the power switch, the digital display will flash briefly and the power light (⏻) will light up.

- Press the standby button to switch the heater fully ON. The digital display will show the room temperature and the power setting symbols will light up (it defaults to HIGH power). The heater defaults to a thermostat setting of 25°C.
- To switch the heater OFF, reverse the above procedure. Turn the power OFF at the wall to fully switch off the heater.

Power Selection

- To select the LOW power option, press the setting adjustment button (-), only the small blue 'low power' light will light up on the digital display.
- To select the HIGH power option press the setting adjustment button (+). Both blue lights will light up to indicate 'high power'.

	LOW Power	HIGH Power
KPE216-417	1400W	2400W

Thermostat Function

- Press the temperature select button (🌡️), the current thermostat setting will flash then it will return to display the current room temperature.
- Press the setting adjustment buttons, (+) or (-) to add 0.5°C or reduce 0.5°C between the range of 5°C to 36°C.
- Once the desired temperature is set wait 5 seconds, the heater will exit the thermostat function and return to normal operation. The current room temperature will be displayed. To view the set temperature at any time, press the (🌡️) button.

Note: The heater's digital thermostat reads the temperature immediately around the heater. Actual average room temperature may vary to the reading showing on the digital display of the heater.

Timer Function

- To set the number of hours the heater will run before automatically switching off press the timer select button (⏰) then press the setting adjustment buttons (+) or (-) to add 0.5 hours or reduce 0.5 hours between the range of 0-18 hours).
- Once the desired time is set wait 5 seconds, the heater will exit the timer function and return to normal operation. To view the time set at any time, press the (⏰) button.

Memory Function

- When the heater is switched to STANDBY the last thermostat temperature will be retained in the heater's memory the next time the heater is switched ON, unless the heater switched OFF using the power switch.

Note: The timer setting is not retained.

Remote Control

- The remote control duplicates all the controls that are on the control panel. Please refer to the above instructions for operation.

SAFETY FEATURES

Over-Heat Protection

- This heater is protected with an over-heat protection cut-out facility that switches it off automatically if it over-heats.
- Overheating can be caused by obstruction to the air intakes on the back of the heater or the grill on the front.
- If this occurs please disconnect the heater from the power socket and allow it to cool for 30 minutes. Remove any obstruction and turn the heater back on.
- The heater should operate normally. Should the problem persist contact your nearest service centre.

Safety Cut-Out Switch

- The heater is fitted with a safety cut-out switch to switch the heater off if it is knocked over.
- If the heater is knocked over and the cut-out switch activates turn the heater off at the power outlet and take EXTREME care when standing the heater upright as it will still be hot.
- Inspect the heater for damage especially to the heating elements and supply cord.
- If any damage is visible do not operate the heater.

CLEANING AND CARE

IMPORTANT: Turn off the heater. Switch off the power switch and disconnect the heater from the power socket. Wait for the heater to be completely cool before cleaning.

Fixed Installation Only

Carefully dislodge the heater wall fixing screws by sliding heater to the left and down to release.

After cleaning the heater re affix the heater to its position on the wall.

- Vacuum clean air vents and grilles to remove dust from these areas.
- To remove dust on external surfaces, wipe the heater with a damp (not wet) lint-free cloth rinsed in hot soapy water only.
- Do not use any harsh detergent or abrasive cleaners.
- Do not spray with liquids or submerge in liquids or water.
- Do not attempt to clean the interior of the heater.
- Do not attempt to open the heater casing at any time.

STORAGE

- Store the heater carefully in a dust-free area during the off season. It is ideal to store the heater in the carton it was supplied in. Neatly wind the cord of the heater to prevent damage to the cord.

This page has been left intentionally blank

WARRANTY GUIDELINES

1. Appliances will be free from defects in material and workmanship under normal use and service when installed and used in accordance with all applicable local laws and regulations.
2. If, during the warranty period, a product fails to operate properly due to defects in workmanship or materials, Aber will either, at its option, repair or replace the product without charge to the purchaser.

The following circumstances or events are either deemed to be outside the scope of the general warranty policy as set out above, or will invalidate any warranty claim:

- Normal customer maintenance, including yearly maintenance, routine maintenance, lubrication, etc.
- Damage caused by the continued use of a product after a fault has occurred.
- Accident, Act of God, nature or war, theft, abuse, misuse, negligence or neglect, including improper installation.
- Failure to operate or maintain the product in accordance with the owner's manual furnished with the product.
- Any alterations or modifications, including those affecting the product's performance, operation, safety, durability or changes in its intended use.
- Additional damage to parts or components due to consented use occurring after any of the above conditions.
- Incorrect installation or commissioning.
- Incorrect electrical installation or fitment to an inappropriate supply. Any electrical installation (fitting and wiring of new wall sockets etc) must be performed by a qualified electrician.
- The warranty applies only to the goods supplied and does not cover any other damage incurred.
- No agent, representative, dealer or employee of Aber or any other person has the authority to increase or alter the obligations of Aber under these warranties.

Proper Maintenance and Operation

The original purchaser must exhibit reasonable care in the maintenance and operation of the product as explained in the maintenance section of the owner/operator's manual. When in doubt, the Retailer should be contacted by the original purchaser for advice.

WARRANTY CLAIM PROCEDURES

Should a product failure occur then the original dealer should be contacted together with proof of purchase.

The following will apply to all products from date of purchase by the original consumer for use in a normal, domestic situation.

Portable Electric Heaters: 2 years from date of purchase.

Products used for business purposes will carry a 90 day warranty.

For full warranty terms & conditions please refer to our website: www.kent.co.nz.

Kent® is a registered trademark of Aber Living, Hamilton, NZ.

www.kent.co.nz