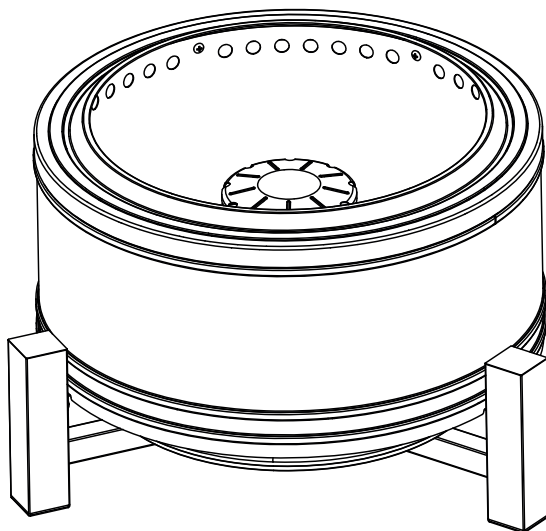


# KENT®

## DUNSTAN SMOKELESS FIRE PIT

Model No. KWF292-5902

### OWNERS INSTRUCTION MANUAL



Congratulations on your purchase of a Kent Dunstan Smokeless Fire Pit. Please read the following instructions carefully before use and retain for future reference.



**FOR OUTDOOR USE ONLY**

**DO NOT** OPERATE THIS APPLIANCE BEFORE READING THE INSTRUCTION BOOKLET

**DO NOT** PLACE ARTICLES ON OR AGAINST THIS APPLIANCE

**DO NOT** STORE CHEMICALS OR FLAMMABLE MATERIALS OR SPRAY AEROSOLS NEAR THIS APPLIANCE

**DO NOT** OPERATE THE APPLIANCE INDOORS

**DO NOT** OPERATE IN AN ENCLOSED AREA. ACCESSIBLE PARTS MAY BE VERY HOT. KEEP YOUNG CHILDREN AWAY  
MINIMUM CLEARANCES FROM COMBUSTIBLE MATERIALS: 3.05 METRES

**Note:** Smokeless fire pits will significantly reduce the amount of smoke produced but will not completely eliminate it. The weather conditions, wood and fuel used can all impact the smoke produced.

Kent is a registered trademark of: Aber Living, Hamilton, N.Z - [www.kent.co.nz](http://www.kent.co.nz)

---

**Important:** Retain these instructions for future use.

---

# IMPORTANT SAFETY WARNINGS



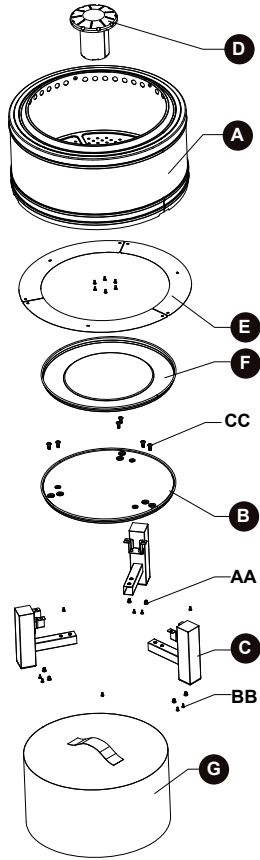
**READ ALL SAFETY WARNINGS AND INSTRUCTIONS CAREFULLY BEFORE ASSEMBLING AND OPERATING YOUR FIRE PIT.**

## **⚠ WARNING**

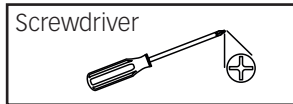
- Only use this Fire Pit on a hard, level, non-combustible, stable surface (concrete, ground etc.) capable of supporting the weight of the Fire Pit. Never use on wooden surface or other surfaces that could burn.
- Proper clearance of 3.05m between the Fire Pit and combustible material (bushes, trees, wooden decks, fences, buildings, etc.) or construction should be maintained at all times when Fire Pit is in use. Do not place Fire Pit under a roof overhang or other enclosed area. Not adhering to these clearances will prevent proper ventilation and may increase the risk of a fire and/or property damage, which could also result in personal injury.
- For outdoor use only. Do not operate Fire Pit indoors or in an enclosed area.
- For household use only. Do not use this Fire Pit for other than its intended purpose.
- Do not use gasoline, kerosene or alcohol for lighting the Fire Pit. Use of any of these or similar products could cause an explosion possibly leading to severe bodily injury.
- DO NOT burn charcoal briquette, lump charcoal, manufactured logs, driftwood, trash, leaves, papers, cardboard, plywood, painted, stained, or pressure-treated wood.
- Place Fire Pit in an area where children and pets cannot come into contact with unit. Close supervision is necessary when Fire Pit is in use.
- Do not leave Fire Pit unattended when in use.
- Do not store or use Fire Pit near gasoline or other flammable liquids, gases or where flammable vapors may be present.
- Use caution when assembling and operating your Fire Pit to avoid scrapes or cuts from sharp edges of metal parts. Use caution when reaching into or under Fire Pit.
- In windy weather, place Fire Pit in an outdoor area that is protected from the wind.
- Never leave ashes in Fire Pit unattended. Before Fire Pit can be left unattended, remaining ashes must be removed from Fire Pit. Use caution to protect yourself and property. Carefully place remaining ashes in a non-combustible metal container and saturate completely with water. Allow ashes and water to remain in metal container 24 hours prior to disposing.
- Extinguished ashes should be placed a safe distance from all structures and combustible materials.
- With a garden hose, completely wet the surface beneath and around Fire Pit to extinguish any ashes which may have fallen during use.
- After each use, clean the Fire Pit thoroughly. Do not allow the Fire Pit to fill with rain water. Cover the Fire Pit to protect it from the elements.
- Use caution when lifting or moving Fire Pit to prevent strains and back injuries.
- We advise that a fire extinguisher be on hand. Refer to your local authority to determine proper size and type of fire extinguisher.
- Store the Fire Pit out of reach of children and in a dry location when not in use.
- Although frost resistant, we strongly recommend storing your Fire Pit inside during winter.
- Properly dispose of all packaging material.
- This fire pit is for use with dry, seasoned hardwood. It will burn hotter, more completely, and create less smoke.
- Do not stack over-sized pieces of wood in the Fire Pit. Do not over load the Fire Pit with wood or pellets, follow the instructions recommendation. It is not a furnace and roaring fires are not recommended.
- Do not add additional firewood until the fire burns down.
- Do not burn treated or painted wood as this may release toxins harmful to you and the environment.

**USE CAUTION AND COMMON SENSE WHEN OPERATING YOUR FIRE PIT.  
FAILURE TO ADHERE TO SAFETY WARNING AND GUIDELINES IN THIS MANUAL  
COULD RESULT IN BODILY INJURY OR PROPERTY DAMAGE.  
SAVE THIS MANUAL FOR FUTURE REFERENCE.**

# EXPLODED DIAGRAM






## TOOLS REQUIRED: (NOT INCLUDED)



## PARTS LIST:

No.	Description	Qty.
A	Fire Bowl	1
B	Heat Deflector	1
C	Support Leg	3
D	Central Air Tube	1
E	Baffle	3
F	Ash Tray	1
G	Cover	1

## HARDWARE:

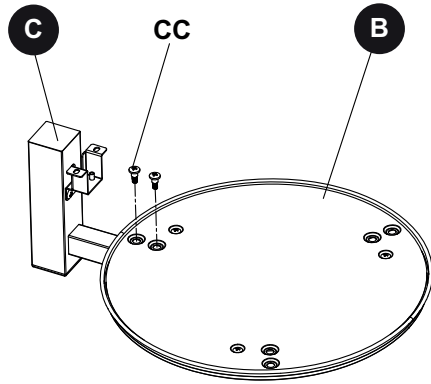
AA - 6 x M6 x 10 Screw 	BB - 15 x M4 x 10 Screw 
CC - 6 x M6 Stepped Screw 	

# ASSEMBLY INSTRUCTIONS

## STEP 1:

Attach the heat deflector (B) to the support leg (C) with (2) M6 stepped screws (CC) as illustrated.

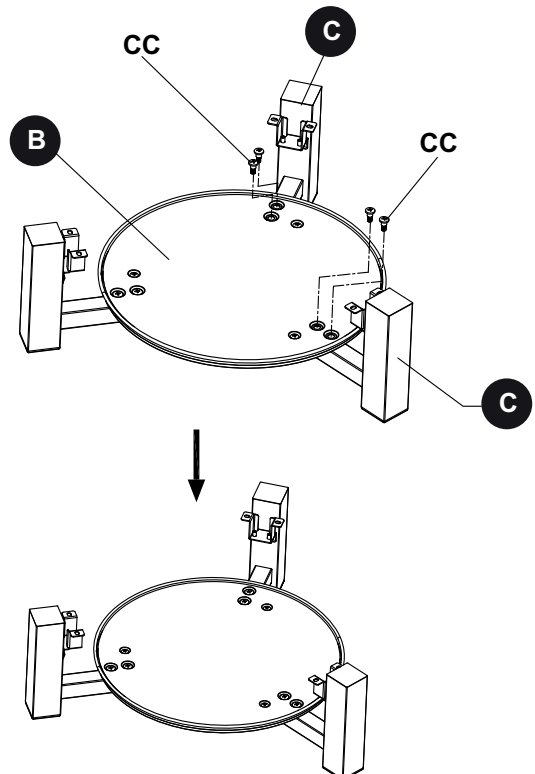
2 x	M6 Stepped Screw	
-----	------------------	---



## STEP 2:

Repeat step 1 to attach the two remaining legs (C) to the heat deflector (B).

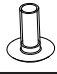
4 x	M6 Stepped Screw	
-----	------------------	---

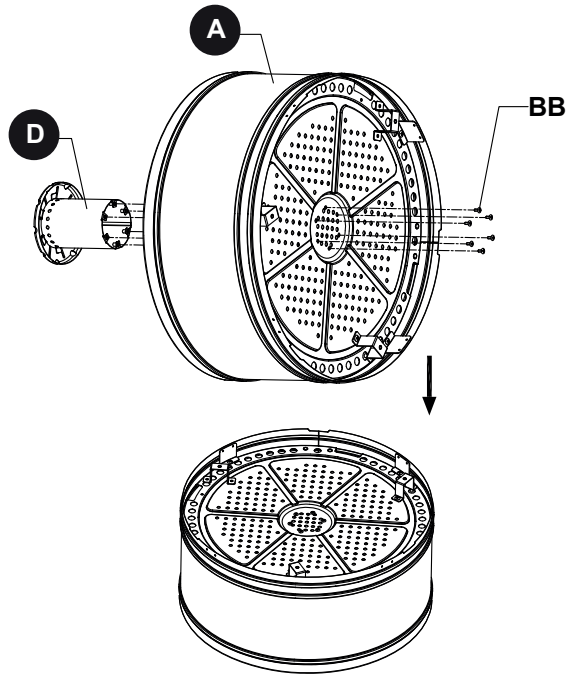


### STEP 3:

Attach the central air tube (D) to the fire bowl (A) with (6) M4 x 10 screws (BB) as illustrated. Then place the bottom of fire bowl upward.

Note: The central air tube installation is optional. This step can be ignored, see instructions on page 7.

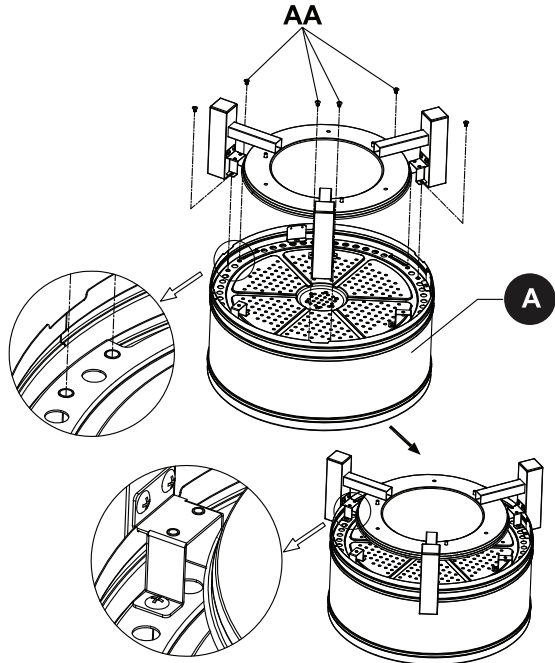
6 x	M4 x 10 Screw	
-----	---------------	---



### STEP 4:

Attach the leg assembly to the bottom of fire bowl (A) with (6) M6 x 10 screws (AA) as illustrated.

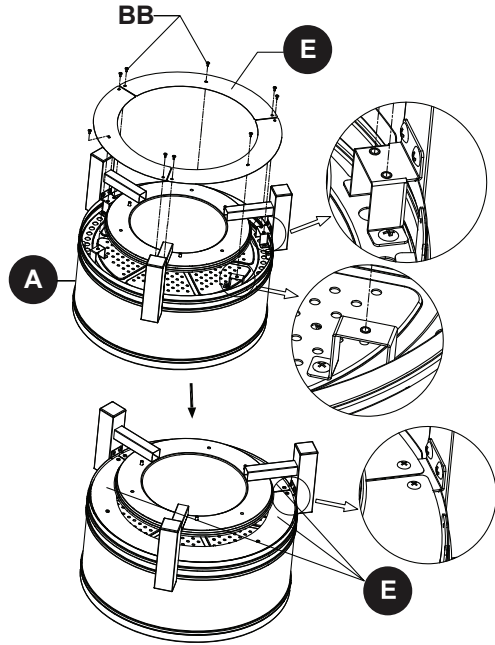
6 x	M6 x 10 Screw	
-----	---------------	---



**STEP 5:**

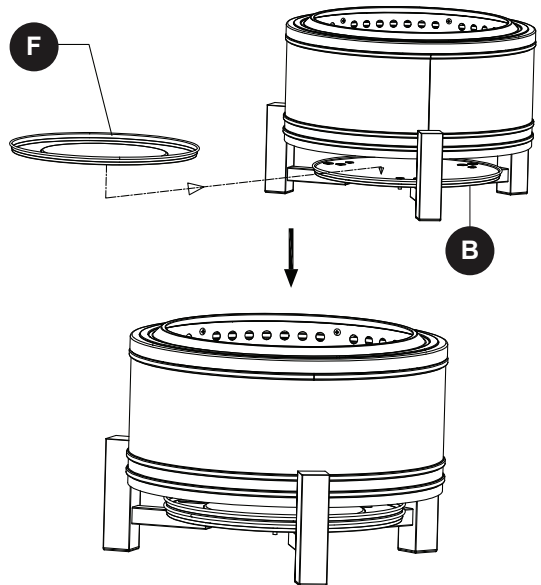
Attach the baffles (E) to the bottom of fire bowl (A) with (9) M4 x 10 screws (BB) as illustrated.

9 x	M4 x 10 Screw	
-----	---------------	---



**STEP 6:**

Place the ash tray (F) onto the heat deflector (B) as illustrated.



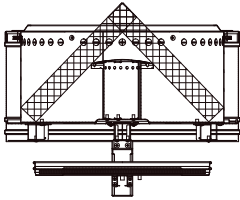
## LIGHTING INSTRUCTIONS

### Firewood

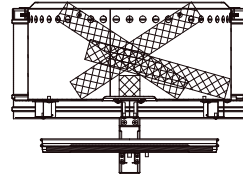
1. Make sure there is no ash in the bottom of fire bowl.
2. Start by placing dry kindling and small wood pieces in the fire bowl.
3. Use a match to light kindling or small wood pieces.
4. As the ember bed gets hotter, start adding in 1-3 pieces of wood. As those catch, add enough wood to fill the fire bowl.

Central air tube creates added combustion and further reduces smoke.

### Firewood placement one

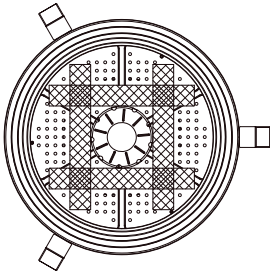


Central air tube installed

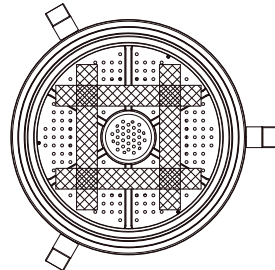


Central air tube not installed

### Firewood placement Two



Central air tube installed



Central air tube not installed

### Using wood pellets

1. Make sure there is no ash in the bottom of fire bowl.
2. Place 100% natural hardwood pellets in the fire bowl, and put kindling or a natural fire starter on to the pellets.

**Note:** Do not overfill with pellets that covers or extends above the top air holes.

**Max usage:** 15kg **Min usage:** 5kg

3. Ignite the kindling or fire starter to allow the fire to start.
4. If you need to add pellets, it is recommended to add near the end of fire burning, and add pellets by batches, each time 0.5 ~ 1 KG is appropriate.

### EXTINGUISHING

1. Allow fire to burn itself out.
2. DO NOT use water to extinguish as this is dangerous and can cause damage to this outdoor fire pit.

## CARE AND MAINTENANCE

### Inspecting:

This fire pit should be inspected on a regular basis to ensure product safety and longer product life. DO NOT attempt to inspect this fire pit until the fire is COMPLETELY out and cool to touch.

1. Check components for any signs of damage or rust.
2. If damage to any component is detected, DO NOT operate until repairs are executed.

### Cleaning:

This fire pit should be cleaned on a regular basis to promote safer experiences and longer product life.

Note: After repeated use, a slight discoloration of the finish may occur.

DO NOT attempt to clean this fire pit until the fire is COMPLETELY out and cool to touch.

DO NOT use oven cleaner or abrasive cleaners as they will damage this product.

DO NOT clean any part of this fire pit in a self-cleaning oven as it may damage the finish.

1. Wipe exterior surfaces with a mild dish washing detergent or baking soda.
2. For stubborn surfaces use a citrus-based degreaser and a nylon scrubbing brush.
3. Rinse and clean with water.
4. Remove built-up creosote from components with a chimney cleaning product.

### Storage:

DO NOT move or store this fire pit until the fire is COMPLETELY out and cool to touch.

1. Once the fire is out, fuel is cold and fire pit is cool to touch, remove ashes and properly dispose.
2. Store the fire pit in a dry location to maximize product life.
3. Store assembled in a location away from children and pets.

Due to extremely high temperatures during burning, discoloration of the fire pit will occur and this is considered normal. Stainless steel has better resistance to rust, however, it is not rust-proof. Prolonged exposure to moisture may result in staining and/or rusting.

Due to extremely high temperatures inside when use, the fire pit may show signs of staining and or rust. This is normal and will not affect normal use or functions.



Aber Living warrants the purchaser of this product against defects in workmanship and material, for a period of up to 12 months from the date of purchase. The warranty is non-transferable and becomes void if used for commercial or rental purposes.

Warranty and purchase receipt of this product are to be retained as proof of purchase and must be presented if making a claim under the terms of the Aber Living Warranty. Repairs under warranty are free of charge, provided the product is delivered to our Service Department or Authorised Service Agent and freight charges both ways are paid by the owner. No liability will be accepted for any loss of damage in transit.

Aber Living reserves the rights to replace or repair the product within the warranty period. Warranty does not apply to any defect, deterioration (including corrosion if located within 1km of the sea), loss, injury or damage occasioned by or as a result of the misuse or abuse, negligent handling or if the product has not been installed and used in accordance with the instructions. The warranty is void if there is evidence of the product being tampered with by unauthorised persons.

If the product includes one or a number of accessories, only the defective accessory or part will be replaced.

In the event of Aber Living choosing to replace the product, the warranty will expire at the original date, i.e. 12 months from the original purchase date.

Where this product contains information from an overseas country, nothing in that information is intended to limit any condition, guarantee, right or remedy which may be available under the Consumer Guarantees Act 1993, except to the extent permitted by that Act.

Approved for Outdoor Use Only.

For service, spare parts or product information in New Zealand, please call Aber Living on the Customer Service Line - 0800 161 161. [www.aberliving.co.nz](http://www.aberliving.co.nz)

YOUR PURCHASE RECORD (please complete)

Date of Purchase \_\_\_\_\_

Model Number \_\_\_\_\_

Serial Number (if applicable) \_\_\_\_\_

Purchased from \_\_\_\_\_