

FEATURES

- Clean air approved small-size radiant wood fire
- Contemporary matt black design, 5mm steel
- Vermiculite brick lined firebox
- Multi-burn firebox helps glass remain clear
- Steel plate top for cooking use

SPECIFICATIONS

- Estimated maximum heat output: 14kW
- Heats area up to 150m² (typically up to three standard rooms)
- Average emission rate: 0.80g/kg
- Overall average efficiency: 69%
- ECAN Authorisation No. 165498



14kW



150m²



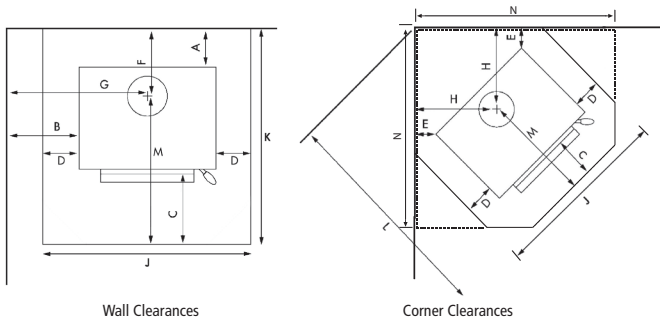
Radiant



Clean Air



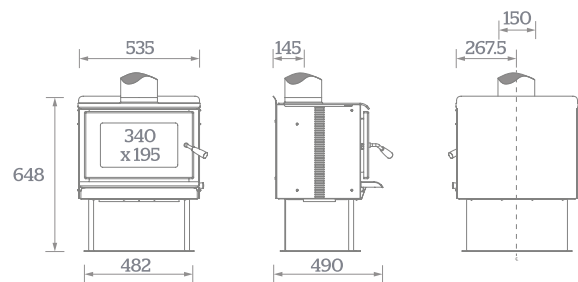
INSTALLATION CLEARANCES



Wall Clearances

Corner Clearances

DIMENSIONS (MM)



RECOMMENDED FLUE KITS

Standard	KWF298-7005
Energy Saver	KWF298-7006

Flue kits are tested to AS/NZS2918 Appendix F report no. 02/649.

Minimum Installation Clearances (with flue shield) mm							Hearth Clearances (mm)					
A	B	C	D	E	F	G	H	J	K	L	M	N
135	350	300	130	120	270	610	395	795	855	1140	585	1000

